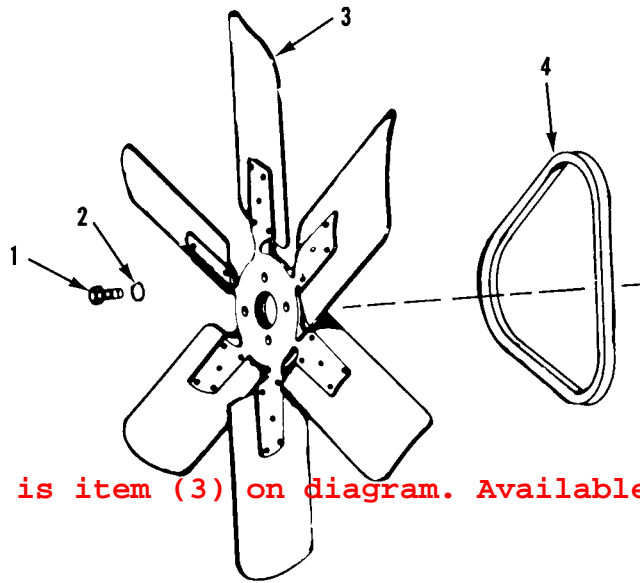


Current part is item (3) on diagram. Available at www.oshkoshequipment.com

(1) SMR Code	(2) Federal Stock Number	DESCRIPTION	UNIT of meas	(4) Qty inc. in Unit	30-day DS maint allowance			30-day GS maint allowance			1-yr alw per 100 equip cnt- gcy	Depot maint alw per 100 equip	Illustration	
					(a) 1-20	(b) 21-50	(c) 51-100	(a) 1-20	(b) 21-50	(c) 51-100			(a) Figure No.	(b) Item No.
		Reference Number & Mfr. Code												
		COMPOSED OF:												
PAOZZ	2930-901-8663	GASKET: WATER PUMP MTG 10889854 (19207)	EA	1	*	*	*	*	*	*	*	*	28	10
KFOZZ		PUMP, ENGINE COOLANT: 10951101 (19207)	EA	1	*	*	*	*	*	*	*	*	28	11
PAOZZ	5310-880-7744	NUT, PLAIN, HEXAGON : COOLING TUBE MTG MS51967-5 (19207)	EA	4	*	*	*	*	*	*	*	*	28	2
PAOZZ	5310-959-4679	WASHER, LOCK: COOLING TUBE MTG MS35340-45 (96906)	EA	4	*	*	*	*	*	*	*	*	28	3
PAOZZ	5307-880-1156	STUD, PLAIN: COOLING UNIT TUBE MTG 10899073- 4 (19207)	EA	4	*	*	*	*	*	*	*	*	28	12
PAOZZ	2930-899-7883	GASKET: WATER TUBE INLET MTG 10889851 (19207)	EA	1	*	*	*	*	*	*	*	*	28	13
PAOZZ	2930-453-5377	TUBE, COOLING UNIT: PUMP INLET 10899032 (19207)	EA	1	*	*	*	*	*	*	*	*	28	14
PAOZZ	4730-541-7747	CLAMP, HOSE: INLET HOSE AN737TW74-91 (88044)	EA	6	*	*	*	*	*	*	*	*	28	15
MOOZZ		HOSE, RUBBER: COOLER TUBE MANUFACTURE FROM:	EA	3									28	16
PAOZZ	4720-200-0632	HOSE, NONMETALLIC: (3-1/4 IN. REQUIRED FOR EA HOSE) ZZH428 (81348)	FT	V									28	16
PADZZ	5310-959-4675	WASHER, LOCK: WATER PUMP MTG TO CRANK- CASE MS35340-46 (96906)	EA	5							*	*	28	17
PADZZ	5306-850-3993	BOLT, MACHINE: WATER PUMP MTG TO CRANK- CASE 7748976 (19207)	EA	3							*	*	28	18
PAOZZ	4710-133-8174	TUBE, BENT, STEEL: WATER PUMP TO OIL COOLER 10935616 (19207)	EA	1	*	*	*	*	*	*	*	*	28	19
PAOZZ	5306-225-8500	0505-FAN ASSEMBLY	EA	4	*	*	*	*	*	*	*	*	29	1
PAOZZ	5310-959-4679	BOLT, MACHINE: FAN MTG MS90725-35 (96906)	EA	4	*	*	*	*	*	*	*	*	29	2
PAOZZ	2930-113-0768	WASHER, LOCK: FAN MTG MS35340-45 (96906)	EA	4	*	*	*	*	*	*	*	*	29	2
PAOZZ	3030-863-7738	IMPELLER, FAN, AXIAL: ENGINE COOLING 11641747 (19207)	EA	1	*	*	*	*	*	*	*	*	29	3
PAOZZ		BELTS, V. MATCHED SET: FAN AND GENERATOR 5702650 (19207)	EA	1	*	*	*	*	*	*	*	*	29	4
PAOZZ		COMPOSED OF:												
PAOZZ	5305-269-3210	2-BELT: 10889856 (19207) GROUP 06-ELECTRICAL SYSTEM 0601-GENERATOR	EA	1	*	*	*	*	*	*	*	*	29	4
PAOZZ		SCREW, CAP, HEXAGON HEAD: ADJUSTING STRAP MTG MS90725-59 (96906)	EA	1	*	*	*	*	*	*	*	*	30	1



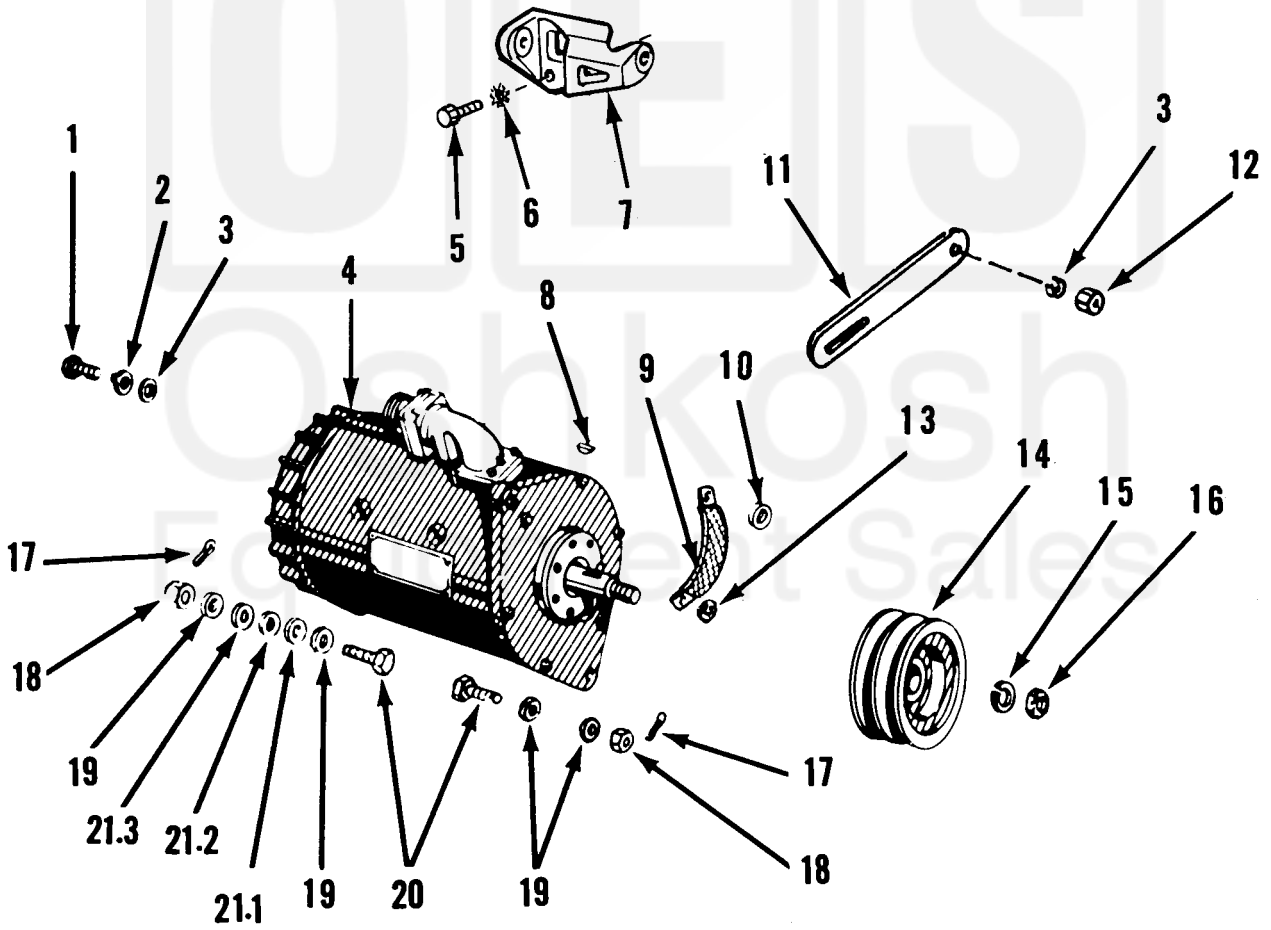
Current part is item (3) on diagram. Available at www.oshkoshequipment.com



Current part is item (3) on diagram. Available at www.oshkoshequipm

TA010736

Figure 29. Engine Cooling Fan and Belt.



TA010737

Figure 30. Generator and Associated Parts.

Current part is item (3) on diagram. Available at www.oshkoshequipm